

BG Lighting

We Light up Your Universe

Lighting Catalog



from



Contact us

UK & European Sales

Tel: +44 0 1952 238 100

E-mail: sales@bgelectrical.co.uk

Stafford Park 1, Telford, Shropshire, England

Asia Office

Tel: +86 0 21 6235 0688

E-mail: sales@nexus.cn

Room 1409, Buliding B, Far East International Plaza
Shanghai, China

Middle East Office

Tel: +964 7808085700

E-mail: sales@mesopotamiaco.com

Al-Wekalat Complex, Ekd Al-Nasarah, Al-Shorja
Baghdad, Iraq



Nexus Industries Ltd. Group company
www.nexusinds.com

Contents

Energy Saving Lamps 4-7

Fluorescent Tubes 8-9

Sodium & Metal halide lamps 10-11

LED Lighting 12-13

Fixtures 14-29

Down Lights 30-51

Floodlights 52-62

Streetlights 63-66

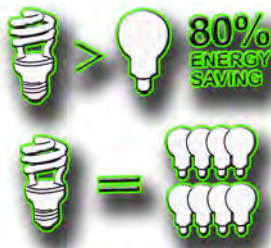
Rechargeable lanterns 67-80

Boxes 81-83

Tape 84-84

Energy Saving Lamps

- BG compact fluorescent lamps (CFLS) are produced strictly according to ISO9001:2008.
- Average lifespan of BG CFLS are from 8000 to 10000 hours.
- BG CLF is 8 to 10 times longer life than the traditional incandescent bulb.
- BG CFLS can save 80% electricity compared with traditional incandescent bulbs.
- All BG CFLS adopt low mercury technology, it reduces the mercury content to only 2 mg per lamp, which is less than half of the demanding European RoHS maximum of 5 mg.
- This made BG CFLs safer and more environ mentally conscious than those of our close competitors.
- A special coating inside the outer shell keeps cracked glass together and keeps the mercury safely inside.
- BG CFLs have 2 years lifespan warranty.
- Used for offices, houses, hotels, malls, meeting rooms etc..





BFS273-11W-E27

- Wattage 11W
- Connection E27
- Frequency 50Hz
- Input voltage 220-240V
- Current at 80mA
- Lifetime 8000-10000H



BFS287-11W-GU10

- Wattage 11W
- Connection GU10
- Frequency 50Hz
- Input voltage 220-240V
- Current at 80mA
- Lifetime 8000-10000H



BFS233-12W-E14

- Wattage 12W
- Connection E14
- Frequency 50Hz
- Input voltage 220-240V
- Current at 80mA
- Lifetime 8000-10000H



BFS233-12W-E27

- Wattage 12W
- Connection E27
- Frequency 50Hz
- Input voltage 220-240V
- Current at 80mA
- Lifetime 8000-10000H

Energy Saving Lamps

BFS233-15W-E27

- Wattage 15W
- Connection E27
- Frequency 50Hz
- Input voltage 220-240V
- Current at 110mA
- Lifetime 8000-10000H

BFS247-20W-E27

- Wattage 20W
- Connection E27
- Frequency 50Hz
- Input voltage 220-240V
- Current at 140mA
- Lifetime 8000-10000H

BFS3U-20W-E27

- Wattage 20W
- Connection E27
- Frequency 50Hz
- Input voltage 220-240V
- Current at 140mA
- Lifetime 8000-10000H

BFS247-23W-E27

- Wattage 23W
- Connection E27
- Frequency 50Hz
- Input voltage 220-240V
- Current at 165mA
- Lifetime 8000-10000H





BFS190-45W-E27

- Wattage 45W
- Connection E27
- Frequency 50Hz
- Input voltage 220-240V
- Current at 320mA
- Lifetime 8000-10000H



BFS190-65W-E27

- Wattage 65W
- Connection E27
- Frequency 50Hz
- Input voltage 220-240V
- Current at 450mA
- Lifetime 8000-10000H



BFS190-85W-E27

- Wattage 85W
- Connection E27
- Frequency 50Hz
- Input voltage 220-240V
- Current at 500mA
- Lifetime 8000-10000H



BFS190-105W-E27

- Wattage 105W
- Connection E27
- Frequency 50Hz
- Input voltage 220-240V
- Current at 630mA
- Lifetime 8000-10000H

Fluorescent Tubes

BF18 T8/6400K

- Item Name T8 Tube
- Model No. BF18 T8/6400K
- Wattage 18W
- Pipe Diameter Ø26mm
- Pipe Length 604mm
- Lumen 960lm
- Life Time 10000HRS

BF18 T8/12000K

- Item Name T8 SnowWhite Tube
- Model No. BF18 T8/12000K
- Wattage 18W
- Pipe Diameter Ø26mm
- Pipe Length 604mm
- Lumen 920lm
- Life Time 10000HRS

BF36 T8/6400K

- Item Name T8 Tube
- Model No. BF36 T8/6400K
- Wattage 36W
- Pipe Diameter Ø26mm
- Pipe Length 1213mm
- Lumen 2400lm
- Life Time 10000HRS

BF36 T8/12000K

- Item Name T8 SnowWhite Tube
- Model No. BF36 T8/12000K
- Wattage 36W
- Pipe Diameter Ø26mm
- Pipe Length 1213mm
- Lumen 2200lm
- Life Time 10000HRS





BF20 T9/6400K

- Item Name T9 Tube
- Model No. BF20 T9/6400K
- Wattage 20W
- Pipe Diameter Ø31mm
- Pipe Length 604mm
- Lumen 1150lm
- Life Time 10000HRS

BF40 T9/6400K

- Item Name T9 Tube
- Model No. BF40 T9/6400K
- Wattage 40W
- Pipe Diameter Ø31mm
- Pipe Length 1213mm
- Lumen 2760lm
- Life Time 10000HRS

Sodium & Metal halide Lamps



Sodium & Metal halide Lamps

10

400W High pressure Sodium

- Type Sodium lamp
- Wattage 400W
- Connection E40
- MOL 292 mm
- Diameter (max) 47 mm
- Initial Lumen 56500 lm
- Current 4.60 A
- Oper. Voltage 100 V
- Avg. Life 32000 hours
- CCT 2000 K
- Oper. Pos. U
- Packing Qty 12 pcs

1000W High pressure Sodium

- Type Sodium lamp
- Wattage 1000W
- Connection E40
- Length 380mm
- Diameter 60mm
- Avg. Life 32000 hours
- Packing Qty 12 pcs



Sodium & Metal halide Lamps



400W Metal halide

• Type	Metal Halide lamp
• Wattage	400W
• Connection	E40
• MOL	282 mm
• LCL	175 mm
• Initial Lumens	32000 lm
• Efficiency	80 lm/w
• Mean Lumens	20400 lm
• Current	3.25 A
• Avg. Life	12000 hours
• CCT	6000 K
• CRI	65 Ra
• Oper. Pos.	HOR±45°
• Packing Qty	12 pcs

1000W Metal halide

• Type	Metal halide
• Wattage	1000W
• Connection	E40
• Length	325 mm
• Diameter	70 mm
• Avg. Life	12000 hours
• Packing Qty	12 pcs

LED Tube

- **High Efficiency:**
The Tube lamp utilizes international famous LED chip , saving 50 % energy compared with fluorescent lamp.
- **Security and Reliable:**
The isolated power source has the function of preventing lighting stroke, over flow and voltage, circuit breaker , short circui , can pass the EMC , safety requirement of harmonic , insulation and voltage endurance.
- **Long Life:**
The lifetime up to 40000H.
- **Environmental Friendly:**
It accords with ROHS directive without mercury and UV like traditional lights. The constant DC drives the LED , which emits soft and pure lights.

Specifications:

- Wattage 11W-22W
- Size 2FT-4FT
- Input voltage 220V
- Lifetime 40000h
- Beam angle >220°
- Ambient temperature -20-60°C
- Wire transform mode:
1-Occasions of inductance ballast



2-Occasions of electronic ballast





LED Candle shape lamp

- BG LED Lamps are produced strictly according to ISO 9001:2008.
- Average lifespan of BG LED Lamps are from 20000 hours to 25000 hours. The traditional incandescent bulbs life time is around 1000 hours, BG LED Lamp is 20 to 25 times longer life than the traditional incandescent bulb.
- BG LED Lamps can save 85 % electricity compared with traditional incandescent bulbs.
- All BG LED Lamps adopt low mercury technology , it reduces the mercury content to only 0 mg per lamp , which is according with European ROHS Requirement.
- This made BG LED Lamps safer and more environmentally conscious than those of our close competitors.
- BG LED Lamps have 2 years lifespan warranty.

Specifications:

• Wattage	4.5W
• Connection	E14
• CCT	3000K
• Input voltage	220-240V
• Frequency	50/60Hz
• Current	45mA
• Lumen	350lm
• Lifetime	20000 hours

LED Panel

- Alum.die casting hinge structure, good quality combined with the nice design.
- Recessing or hoisting installation supported.
- High efficiency no flicking and high CRI, eyes protective; in accordance with EU and Japanese (PSE) standards.
- Minimalism design.

Specification:

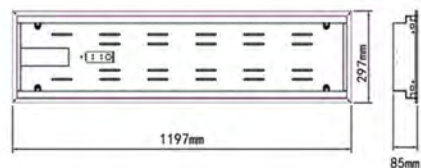
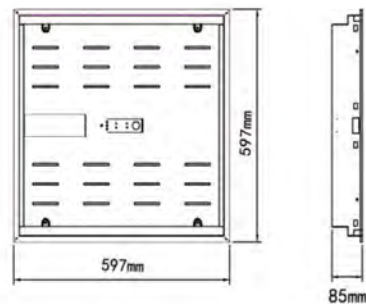
- Frequency 50Hz/60Hz
- Power efficiency 86%
- Hi-pot testing volt. 4000V
- EMC CISPR15
- Dimmable No
- LED Refine4014
- Light-into 2sides
- Installation recessing/hoisting
- Environmental -20°C ~ +45°C temp.
- ROHS In accordance with Rohs
- Used for offices, houses, hotels, Hospitals, malls, meeting rooms etc..



LED Decorative grid light

Specifications:

- Type LED Grid Light
- Frequency 50-60Hz
- Input voltage 220-240V
- Input Current 1.2A
- Wattage 48W
- Power Factor ≥ 0.95
- CCT 4000K/6000K
- CRI ≥ 80
- LM 3300LM
- Fixture Material 0.5mm Cold-roll steel plate
- Fixture Color Matt White
- Used for Integration office, Office, Waiting Room, Station Hall, Acception Room, Meeting Room, School, Hospital, Home and etc.
- Dimension:



BGR336PL

BG louvre luminaire, Compact fluorescent luminaire, single parabolic alumination louvre with anti-glare function, light emission: direct distribution, installation type: recessed, for T8 3x36w, control gear: 2 BLT electronic ballast, mains connection: 200-230VAC, 50Hz, luminaire housing, sheet steel, powder coated pure white, length: 597mm, width: 597mm, height: 75mm, protection rating: IP20, insulation class: insulation class I, (protective earthing), certification: CE, 3C, ISO9001, permissible ambient temperature for indoor applications: -20~55°C, packaging unit: 2 piece.

Key data:

- Product type linear Fluorescent luminaire
- Family: BG 60x60 Grid Lamp
- Order No.: BGR336PL

Lighting technology:

- Beam angle: wide distribution
- Light emission: direct distribution

Lamps:

- Lamps: fluorescent lamp, 3 x 36W
- Socket: 2G11

Control gear:

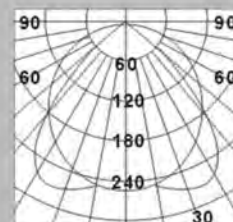
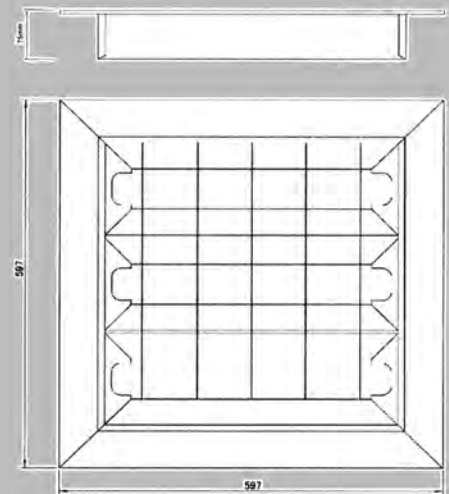
- Control gear: 2 BLT electronic ballasts

Material | Colour:

- Luminaire housing: sheet steel, coated pure white

Dimensions:

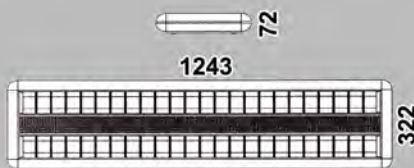
- 597x597x75mm



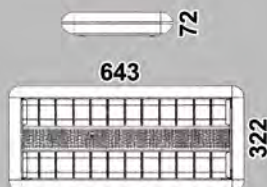
Decorative round edge luminaire



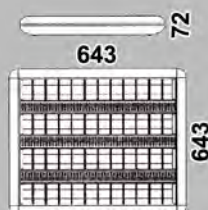
BGRSL236-RE



BGRSL218-RE



BGRSL418-RE



Key data:

- Product type:
Linear fluorescent luminaire.
- Order No.:
BGRSL236-RE, BGRSL218-RE,
BGRSL418-RE.

Lamps:

- Fluorescent lamps:
BGRSL236-RE 2x36W
BGRSL218-RE 2x18W
BGRSL418-RE 4x18W
- Socket: G13

Electrical connection:

- Connection:
Terminal blocks, internal copper wires (N-black, L-white)
- Nominal voltage: 200-230VAC
- Frequency: 50Hz

Dimensions:

- BGRSL236-RE: 1243x322x72mm
- BGRSL218-RE: 643x322x72mm
- BGRSL418-RE: 643x643x72mm

Approval:

- Protection rating: IP20
- Permissible ambient temperature:
-20~55°C

BGRSL418-E & BGSL418-E

BG louvre luminaire, Linear fluorescent luminaire, Double parabolic aluminium louvre with anti-glare function, light emission: direct distribution, installation type: recessed, for 4 x T8 18w, control gear: Tridonic ECG electronic ballast, mains connection: 200-230 VAC, 50Hz, luminaire housing, sheet steel, powder coated pure white, length: 597mm, width: 597mm height: 75mm, protection rating: IP20, insulation class: insulation class I, (protective earthing), certification: CE, 3C, ISO9001, permissible ambient temperature for indoor applications: -20~55°C, packaging unit: 1 piece.

Key data:

- Product type linear Fluorescent luminaire
- Family: BG Crystal Grid Lamp
- Order No.: BGRSL418-E & BGSL418-E

Lighting technology:

- Beam angle: wide distribution
- Light emission: direct distribution

Lamps:

- Lamps: fluorescent lamp, 4 x 18W
- Socket: G13

Control gear:

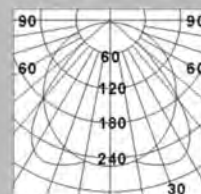
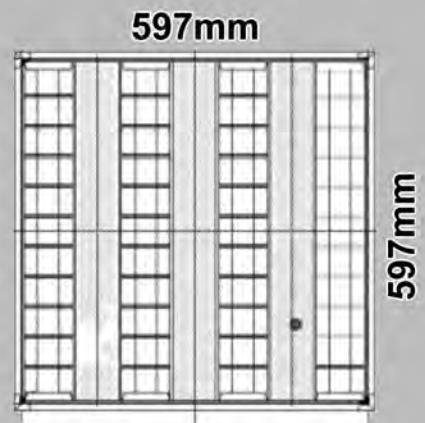
- Control gear: Tridonic ECG electronic ballast

Material | Colour:

- Luminaire housing: sheet steel, coated pure white

Dimensions:

- 597x597x75mm



BGRSL236-E & BGSL236-E

BG louvre luminaire, Linear fluorescent luminaire, Double parabolic aluminium louvre with anti-glare function, light emission: direct distribution, installation type: recessed, for 2 x T8 36w, control gear: Tridonic ECG electronic ballast, mains connection: 200-230 VAC, 50Hz, luminaire housing, sheet steel, powder coated pure white, length: 30mm, width: 120mm height: 75mm, protection rating: IP20, insulation class: insulation class I, (protective earthing), certification: CE, 3C, ISO9001, permissible ambient temperature for indoor applications: -20~55°C, packaging unit: 2 piece.

Key data:

- Product type linear Fluorescent luminaire
- Family: BG Crystal Grid Lamp
- Order No.: BGRSL236-E & BGSL236-E

Lighting technology:

- Beam angle: wide distribution
- Light emission: direct distribution

Lamps:

- Lamps: fluorescent lamp, 2 x 36W
- Socket: G13

Control gear:

- Control gear: Tridonic ECG electronic ballast

Material | Colour:

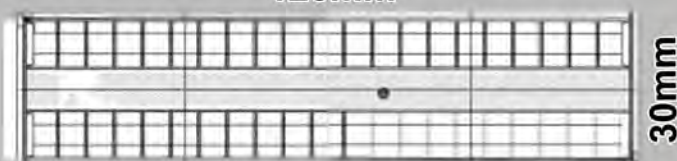
- Luminaire housing: sheet steel, coated pure white

Dimensions:

- 30x120x75mm



120mm



30mm

BGRSL418-2/4 & BGSL418-2/4

BG louvre luminaire, Linear fluorescent luminaire, Double parabolic aluminium louvre with anti-glare function, light emission: direct distribution, installation type: recessed, for 4 x T8 18w, control gear: 2 or 4 Tridonic EC Magnetic ballast, mains connection: 200-230 VAC, 50Hz, luminaire housing, sheet steel, powder coated pure white, length: 597mm, width: 597mm height: 75mm, protection rating: IP20, insulation class: insulation class I, (protective earthing), certification: CE, 3C, ISO9001, permissible ambient temperature for indoor applications: -20~55°C, packaging unit: 1 piece.

Key data:

- Product type linear Fluorescent luminaire
- Family: BG Grid Lamp
- Order No.: BGRSL418-2/4 & BGSL418-2/4

Lighting technology:

- Beam angle: wide distribution
- Light emission: direct distribution

Lamps:

- Lamps: fluorescent lamp, 4 x 18W
- Socket: G13

Control gear:

- Control gear: 2 or 4 Tridonic EC Magnetic ballast

Material | Colour:

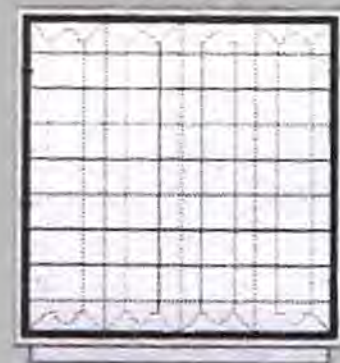
- Luminaire housing: sheet steel, coated pure white

Dimensions:

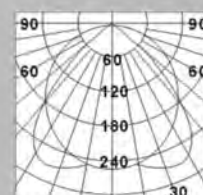
- 597x597x75mm

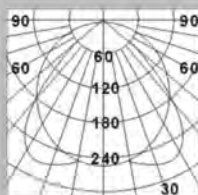
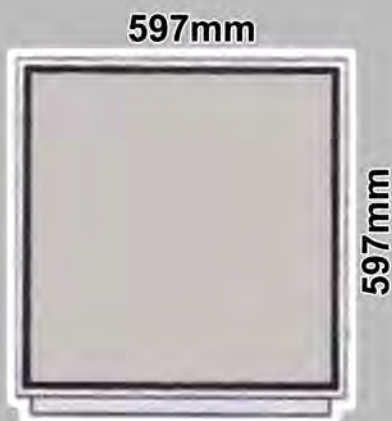


597mm



597mm





BGRSO418-4

BG louvre luminaire, Linear fluorescent luminaire, Double parabolic aluminium louvre with anti-glare function, light emission: direct distribution, installation type: recessed, for 4 x T8 18w, control gear: 4 Tridonic EC Magnetic ballast, mains connection: 200-230 VAC, 50Hz, luminaire housing, sheet steel, powder coated pure white, length: 30mm, width: 120mm height: 75mm, protection rating: IP20, insulation class: insulation class I, (protective earthing), certification: CE, 3C, ISO9001, permissible ambient temperature for indoor applications: -20~55°C, packaging unit: 2 piece.

Key data:

- Product type linear Fluorescent luminaire
- Family: BG Grid Lamp
- Order No.: BGRSO418-4

Lighting technology:

- Beam angle: wide distribution
- Light emission: direct distribution

Lamps:

- Lamps: fluorescent lamp, 4 x 18W
- Socket: G13

Control gear:

- Control gear: 4 Tridonic EC Magnetic ballast

Material | Colour:

- Luminaire housing: sheet steel, coated pure white

Dimensions:

- 597x597x75mm

BGSPL418-4

BG louvre luminaire, Linear fluorescent luminaire, Double parabolic aluminium louvre with anti-glare function, light emission: direct distribution, installation type: recessed, for 4 x T8 18w, control gear: 4 Tridonic EC Magnetic ballast, mains connection: 200-230 VAC, 50Hz, luminaire housing, sheet steel, powder coated pure white, length: 597mm, width: 597mm height: 75mm, protection rating: IP20, insulation class: insulation classI, (protective earthing), certification: CE,3C, ISO9001, permissible ambient temperature for indoor applications: -20~55°C, packaging unit: 1 piece.

Key data:

- Product type linear Fluorescent luminaire
- Family: BG Grid Lamp
- Order No.: BGSPL418-4

Lighting technology:

- Beam angle: wide distribution
- Light emission: direct distribution

Lamps:

- Lamps: fluorescent lamp, 4 x 18W
- Socket: G13

Control gear:

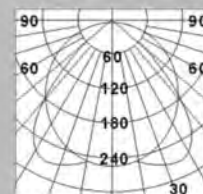
- Control gear: 4 Tridonic EC Magnetic ballast

Material | Colour:

- Luminaire housing: sheet steel, coated pure white

Dimensions:

- 597x597x75mm





LED Weatherproof lighting

Body: Injection moulded, opaque UV stabilized polycarbonate body , waterproof gasket in natural silicon gel. Secure the gear tray by "T" shape rotated supports, with plastic gear tray holder connected to the body for easy installation and maintenance.

Closing clips in polycarbonate or stainless steel , with two clips at one side of the diffuser suspending the cover once opened.

The design of the end of the clips is for easy opening the diffuser by fingers only , no need other tool.

Reflector: White - coated flat metal plate, with two ends 5mm down for the appropriate position of the lamp once installed.

Diffuser: Injection Moulded, transparent UV stabilized polycarbonate diffuser, highly impact resistant.

It features averaged 3 mm width anti-dazzling prismatic line and stylish, fine grained frosted front "{" and "}" shape planes.

Application: workshop ; warehouse ; cold store ; parking-lot ; food industry ; tunnel ; bathroom etc.

Weatherproof lighting

Body: Injection moulded, opaque UV stabilized polycarbonate body, waterproof gasket in natural silicon gel.

Secure the gear tray by "T" shape rotated supports, with plastic gear tray holder connected to the body for easy installation and maintenance.

Closing clips in polycarbonate or stainless steel, with two clips at one side of the diffuser suspending the cover once opened.

The design of the end of the clips is for easy opening the diffuser by fingers only, no need other tool.

Reflector: White-coated flat metal plate, with two ends 5 mm down for the appropriate position of the lamp once installed.

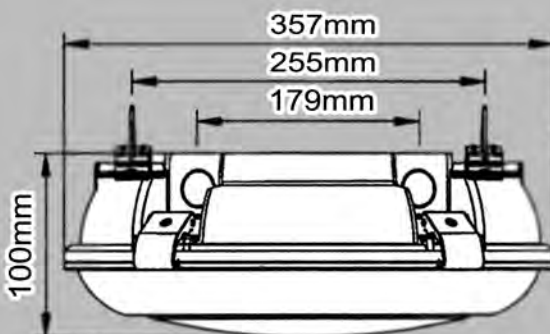
Diffuser: Injection moulded, transparent UV stabilized polycarbonate diffuser, highly impact resistant.

It features averaged 3 mm width anti-dazzling prismatic line and stylish, fine grained frosted front "{" and "}" shape planes.

Application: workshop; warehouse ; cold store ; parking-lot ; food industry ; tunnel; bathroom etc.



Model	Lamps	Dimensions	PCS/CTN	Packing size
BWP118	1X18W T8 G13	664x90x90x350	12	685X395X300
BWP136	1X36W T8 G13	1274x90x90x900	9	1295X300X300
BWP158	1X58W T8 G13	1574x90x90x1200	9	1595X300X300
BWP218	2X18W T8 G13	664x140x90x350	9	685X450X300
BWP236	2X36W T8 G13	1274x140x90x900	6	1295X450X205
BWP258	2X58W T8 G13	1574x140x90x1200	6	1595X450X205
BWP118-E	1X18W T8 G13	664x90x90x350	12	685X395X300
BWP136-E	1X36W T8 G13	1274x90x90x900	9	1295X300X300
BWP158-E	1X58W T8 G13	1574x90x90x1200	9	1595X300X300
BWP218-E	2X18W T8 G13	664x140x90x350	9	685X450X300
BWP236-E	2X36W T8 G13	1274x140x90x900	6	1295X450X205
BWP258-E	2X58W T8 G13	1574x140x90x1200	6	1595X450X205



LED IP65 luminaire

Performance:

- Diffuser made of transparent PC, with high light transmittance.
- Housing made of opaque PC, with good mechanical performance.
- Reflector made of painted iron plate. with new design and easy for maintenance.
- Silicon gel gasket and PC clips with good mechanical performance ensuring IP65 of the lighting fixture.

Specification:

- | | |
|--------------|---------------------|
| • Type | Fixed LED Luminaire |
| • Voltage | 220V-240V |
| • Frequency | 50Hz/60Hz |
| • Wattage | 32W |
| • IP rating | 65 |
| • Diameter | 357mm |
| • Height | 100mm |
| • Net Weight | 1.53kg |

Locations:

- IP65 rated waterproof luminaires for fixed installation series, function well in waterproof and dustproof, suitable for outdoor and wet locations lighting application.

Weatherproof Fixture

Specifications:

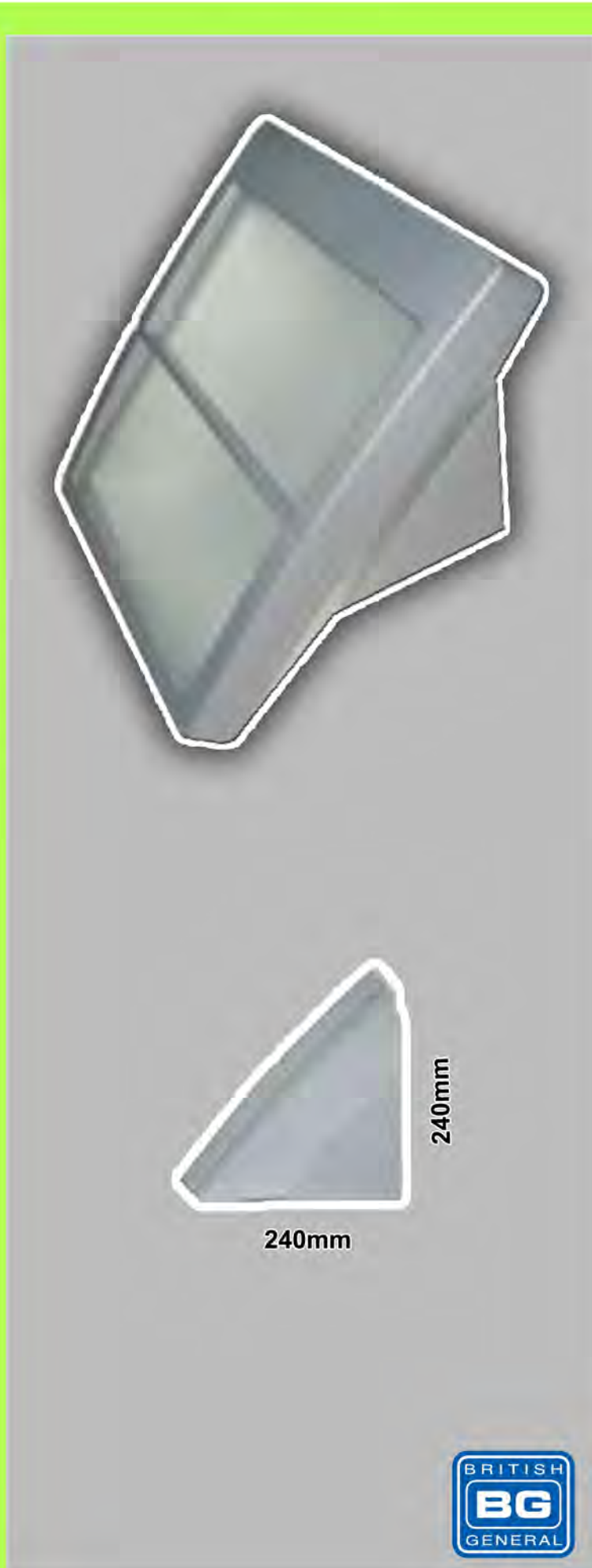
- Type Weatherproof Fixture
- Order No. BWP-2016
- Product Certificate CE
- Ingress Protection IP55
- Frequency 50-60Hz
- Input voltage 220-240V
- Light source Energy saving lamps:2x26W
- Lamp holder type G24/E27
- Body Polycarbonate body
- Reflector High purity anodized clear aluminium reflector

Packing:

- Dimension 580X280X310mm
- Net Wight (carton) 7 Kg
- Gross Wight (carton) 8.5 Kg
- PCS / Carton 4 pcs

Applications:

- Building
- House
- Hotel
- Mall
- Parcking area
- Shop windows





BLB-12W/POLE

Specification:

- Type Flood light
- Reflector Aluminium reflector
- Lamp Energy saving lamp
- Connection E27
- Max. Wattage 400W
- Frequency 50Hz
- Input voltage 220-240V
- Ta 45 Degree centigrade

Dimensions:

- Length 918 mm
- Diameter Ø310 mm

Packing:

- QTY 1 PCS
- N.W. 2 KGS
- G.W. 3 KGS
- MEAS 325x325x640 mm

Applications:

- Sport stadiums
- Parking area
- Warehouse
- Factories

T8 Inductant Battens

- Mains connection: 200-230V, 50Hz.
- Sheet steel.
- Paint coated pure white.
- Protection rating: IP20.
- Insulation class: insulation class I (protective earthing).
- Certification: CE, 3C, ISO9001.
- Permissible ambient temperature for indoor applications: -20~55°C.

BN118:

- Lamp 1x18W T8 G13
- Ballast Tridonic magnetic ballast
- Ballast order No. EC18OD100K

BN218:

- Lamp 2x18W T8 G13
- Ballast Tridonic magnetic ballast
- Ballast order No. EC36OD100K

BN136:

- Lamp 1x36W T8 G13
- Ballast Tridonic magnetic ballast
- Ballast order No. EC36OD100K

BN236:

- Lamp 2x36W T8 G13
- Ballast Tridonic magnetic ballast
- Ballast order No. EC36OD100K

BN236REF:

- Lamp 2x36W T8 G13
- Ballast Tridonic magnetic ballast
- Ballast order No. EC36OD100K

BN136-E:

- Lamp 1x36W T8 G13
- Ballast BLT electronic ballast
- Ballast order No. YZ-E136

BN236-E:

- Lamp 2x36W T8 G13
- Ballast BLT electronic ballast
- Ballast order No. YZ-E236



INDUCTANT BATTENS



ELECTRONIC INDUCTANT BATTENS





T5 Inductant Battens

BELC114/T5/6400

• Voltage Range	220-230V
• Frequency	50Hz
• Material	Alluminum
• Light Source	T5 14W 6500K
• Power Code	150mm
• Size	573x23x36mm
• PCS/CTN	30PCS
• N.W./CTN	6KGS
• G.W./CTN	6.7KGS
• CTN Size	645x160x215mm

BELC121/T5/6400

• Voltage Range	220-230V
• Frequency	50Hz
• Material	Alluminum
• Light Source	T5 21W 6500K
• Power Code	150mm
• Size	873x23x36mm
• PCS/CTN	30PCS
• N.W./CTN	7.8KGS
• G.W./CTN	9.7KGS
• CTN Size	950x160x215mm

BELC128/T5/6400

• Voltage Range	220-230V
• Frequency	50Hz
• Material	Alluminum
• Light Source	T5 28W 6500K
• Power Code	150mm
• Size	1173x23x36mm
• PCS/CTN	30PCS
• N.W./CTN	9.9KGS
• G.W./CTN	12.3KGS
• CTN Size	1250x160x215mm

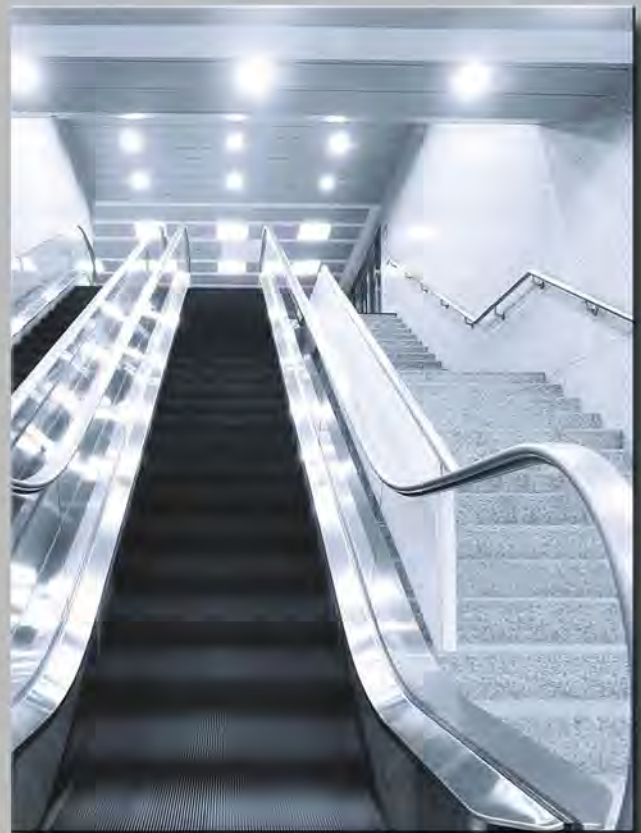
Down Lights

Special Design

- Alum.die casting hinge structure ,good quality combined with the nice design.
- Recessing or hoisting installation supported.
- High efficiency no flicking and high CRI , eyes protective ; in accordance with EU and Japanese (PSE) standards.
- Minimalism design.

Applications

- Integration office
- Office
- Waiting Room
- Station Hall
- Acceptation Room
- Meeting Room
- School
- Hospital
- Home and etc.



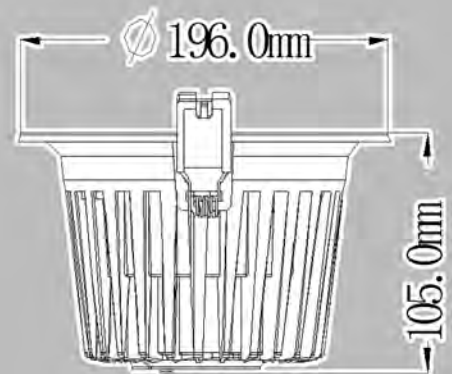


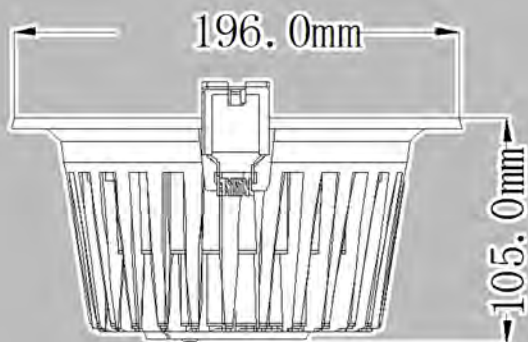
Slim Downlight

- Wattage 18W
- IP 44
- Diameter Ø224mm
- Thickness 20mm
- Power supply Isolation type
frequency constant
current power supply
- Frequency 50Hz/60Hz
- Power efficiency 86%
- Hi-pot testing volt. 4000V
- EMC CISPR15
- Dimmable No
- LED Refine4014
- Installation recessing/hoisting
- Reflecting file PET
- Photoconductive plate PMMA
T=3mm optical level PC material
- Diffuser plate T=1.5mm PS material
- Environmental temp. -20°C~+45°C
- Net weight 0.65kg
- ROHS In accordance with Rohs

DPXL-32W PRO/W-01

- Type LED Downlight
- Wattage 32W
- IP rating 20
- Life time 100000 Hours
- Dimention Ø196mm
- Ceilling cut out Ø172mm
- Thickness 105mm
- Power supply Isolation type
frequency constant
current power supply
- Frequency 50Hz/60Hz
- Voltage 170VAC-240VAC
- Hi-pot testing volt. 4000V
- Material Aluminum
- Color Ivory white
- LED Bridglux COB 45x45
- Beam angle 30°
- CRI Ra>80
- Lumen efficiency 75lm/w
- Lumen flux 6000K-2400LM
3000K-2240LM
- Max. ambient temp. -10°C ~ +45°C
- Net weight 1015G
- Packing 6PCS/carton



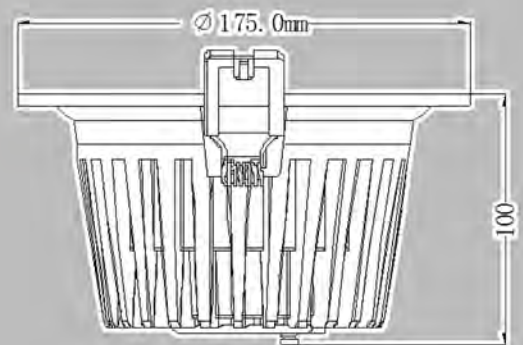


DPXL-32W PRO/W-02

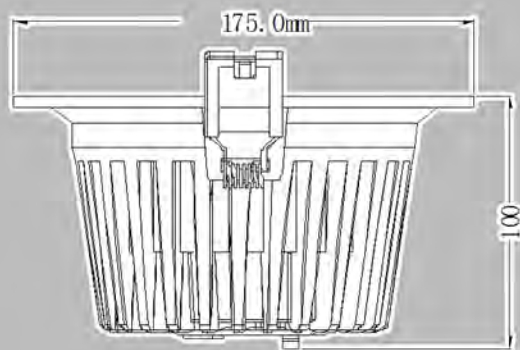
- Type LED Downlight
- Wattage 32W
- IP rating 20
- Life time 100000 Hours
- Dimention 196mmX196mm
- Ceilling cut out Ø172mm
- Thickness 105mm
- Power supply Isolation type
frequency constant
current power supply
- Frequency 50Hz/60Hz
- Voltage 170VAC-240VAC
- Hi-pot testing volt. 4000V
- Material Aluminum
- Color Ivory white
- LED Bridglux COB 45x45
- Beam angle 30°
- CRI Ra>80
- Lumen efficiency 75lm/w
- Lumen flux 6000K-2400LM
3000K-2240LM
- Max. ambient temp. -10°C ~ +45°C
- Net weight 1099G
- Packing 6PCS/carton

DPLL-24W PRO/W-01

- Type LED Downlight
- Wattage 24W
- IP rating 20
- Life time 100000 Hours
- Dimention Ø175mm
- Ceilling cut out Ø155mm
- Thickness 100mm
- Power supply Isolation type
frequency constant
current power supply
- Frequency 50Hz/60Hz
- Voltage 170VAC-240VAC
- Hi-pot testing volt. 4000V
- Material Aluminum
- Color Ivory white
- LED Bridglux COB 45x45
- Beam angle 38°
- CRI Ra>80
- Lumen efficiency 70lm/w
- Lumen flux 6000K-1680LM
3000K-1560LM
- Max. ambient temp. -10°C ~ +45°C
- Net weight 800G
- Packing 8PCS/carton



DPLL-24W PRO/W-02



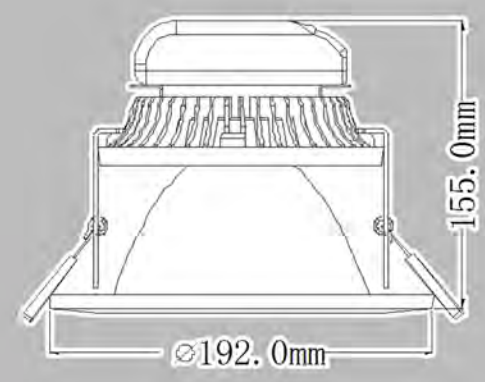
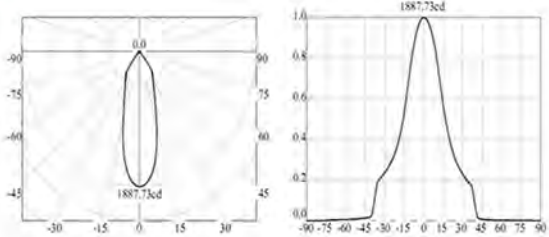
- Type LED Downlight
- Wattage 24W
- IP rating 20
- Life time 100000 Hours
- Dimention 175mmX175mm
- Ceilling cut out Ø155mm
- Thickness 100mm
- Power supply Isolation type
frequency constant
current power supply
- Frequency 50Hz/60Hz
- Voltage 170VAC-240VAC
- Hi-pot testing volt. 4000V
- Material Aluminum
- Color Ivory white
- LED Bridglux COB 45x45
- Beam angle 38°
- CRI Ra>80
- Lumen efficiency 70lm/w
- Lumen flux 6000K-1680LM
3000K-1560LM
- Max. ambient temp. -10°C ~ +45°C
- Net weight 883G
- Packing 8PCS/carton

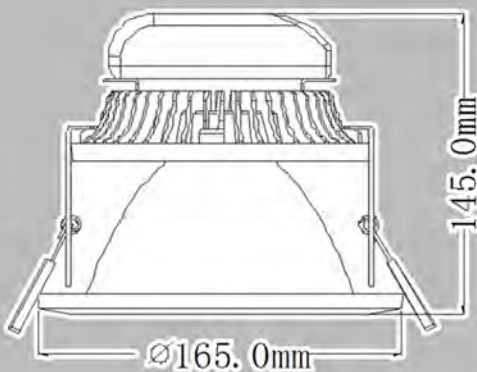
DPLL-24W PRO

- Type LED Downlight
- Wattage 24W
- IP rating 20
- Life time 40000 Hours
- Dimention Ø192mm
- Ceilling cut out Ø175mm
- Thickness 155mm
- Power supply Isolation type
frequency constant
current power supply
- Frequency 50Hz/60Hz
- Voltage 170VAC-240VAC
- Hi-pot testing volt. 4000V
- Material Aluminum
- Color Ivory white
- LED Bridglux from USA
- Beam angle 30°
- CRI Ra>80
- Lumen efficiency 70lm/w
- Lumen flux 6000K-1540LM
3000K-1540LM
- Max. ambient temp. -10°C ~ +45°C
- Net weight 932G
- Packing 8PCS/carton

Down Lights

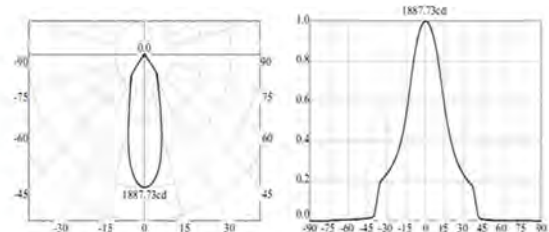
36





DPL-18W PRO

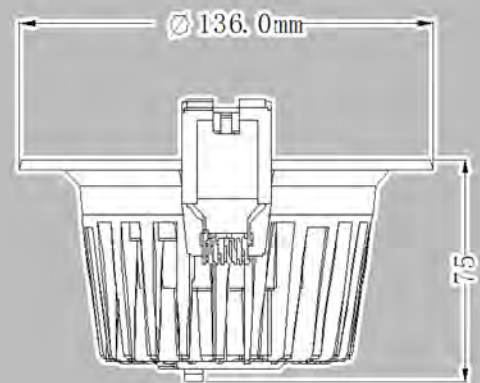
- Type LED Downlight
- Wattage 18W
- IP rating 20
- Life time 40000 Hours
- Dimention Ø165mm
- Ceilling cut out Ø155mm
- Thickness 145mm
- Power supply Isolation type
frequency constant
current power supply
- Frequency 50Hz/60Hz
- Voltage 170VAC-240VAC
- Hi-pot testing volt. 4000V
- Material Aluminum
- Color Ivory white
- LED Bridglux from USA
- Beam angle 30°
- CRI Ra>85
- Lumen efficiency 70lm/w
- Lumen flux 6000K-1250LM
3000K-1250LM
- Max. ambient temp. -10°C ~ +45°C
- Net weight 858G
- Packing 8PCS/carton



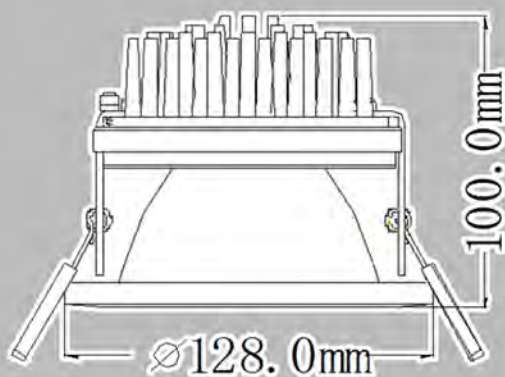
Down Lights

DPL-15W PRO/W-01

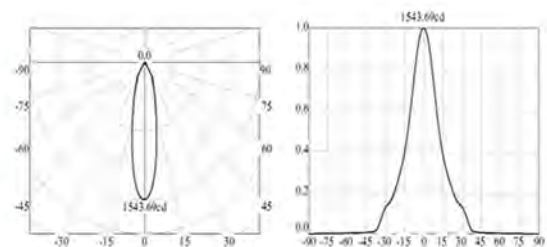
- Type LED Downlight
- Wattage 15W
- IP rating 20
- Life time 100000 Hours
- Dimention Ø136mm
- Ceilling cut out Ø120mm
- Thickness 75mm
- Power supply Isolation type
frequency constant
current power supply
- Frequency 50Hz/60Hz
- Voltage 170VAC-240VAC
- Hi-pot testing volt. 4000V
- Material Aluminum
- Color Ivory white
- LED Bridglux COB 45x45
- Beam angle 30°
- CRI Ra>80
- Lumen efficiency 70lm/w
- Lumen flux 6000K-1050LM
3000K-975LM
- Max. ambient temp. -10°C ~ +45°C
- Net weight 381G
- Packing 12PCS/carton



DPM-12W PRO



- Type LED Downlight
- Wattage 12W
- IP rating 20
- Life time 40000 Hours
- Dimention Ø128mm
- Ceilling cut out Ø120mm
- Thickness 100mm
- Power supply Isolation type
frequency constant
current power supply
- Frequency 50Hz/60Hz
- Voltage 170VAC-240VAC
- Hi-pot testing volt. 4000V
- Material Aluminum
- Color Ivory white
- LED Bridglux from USA
- Beam angle 30°
- CRI Ra>85
- Lumen efficiency 70lm/w
- Lumen flux 6000K-850LM
3000K-850LM
- Max. ambient temp. -10°C ~ +45°C
- Net weight 422G
- Packing 8PCS/carton

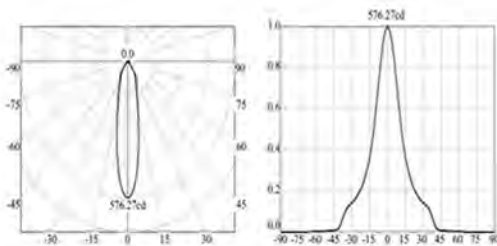
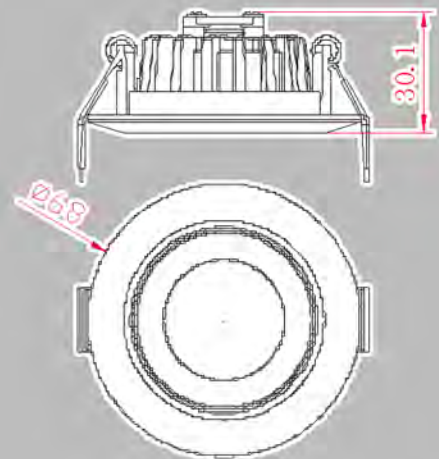


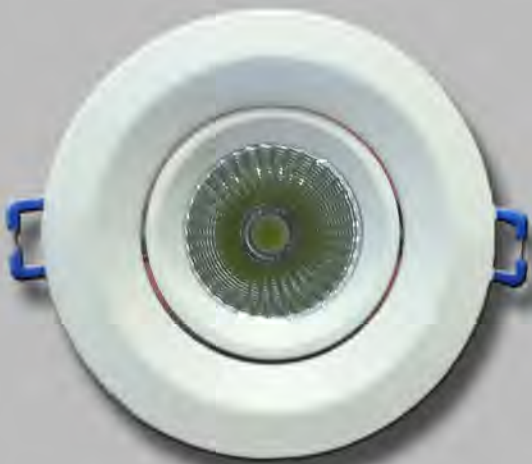
SPS-4W PRO/W-01

- Type LED Spotlight
- Wattage 4W
- IP rating 20
- Life time 40000 Hours
- Dimention Ø68mm
- Ceilling cut out Ø60mm
- Thickness 30mm
- Power supply Isolation type
frequency constant
current power supply
- Frequency 50Hz/60Hz
- Voltage 170VAC-240VAC
- Hi-pot testing volt. 4000V
- Material Aluminum
- Color Ivory white
- LED Sharp
- Beam angle 25° 35°
- CRI Ra>85
- Lumen efficiency 75lm/w
- Lumen flux 5000K-300LM
3000K-300LM
- Max. ambient temp. -10°C ~ +45°C

Down Lights

40





LED 5W Downlight

- Type LED Downlight
- Wattage 5W
- Current 42mA
- IP rating 20
- Dimention Ø95mm
- Thickness 60mm
- Power supply Isolation type frequency constant current power supply
- Frequency 50Hz/60Hz
- Voltage 220V-240V
- Max. ambient temp. -10°C ~ +45°C
- Net weight 210G

New from



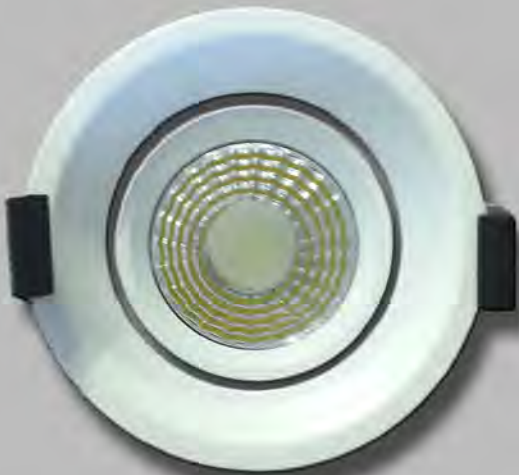
LED 7W Downlight

- Type LED Downlight
- Wattage 7W
- Current 72mA
- IP rating 20
- Dimention Ø95mm
- Thickness 45mm
- Power supply Isolation type frequency constant current power supply
- Frequency 50Hz/60Hz
- Voltage 220V-240V
- Max. ambient temp. -10°C ~ +45°C
- Net weight 210G

Down Lights

42





LED 7W Downlight

- Type LED Downlight
- Wattage 7W
- Current 62mA
- IP rating 20
- Dimention Ø100mm
- Thickness 65mm
- Power supply Isolation type frequency constant current power supply
- Frequency 50Hz/60Hz
- Voltage 220V-240V
- Max. ambient temp. -10°C ~ +45°C
- Net weight 210G

New from



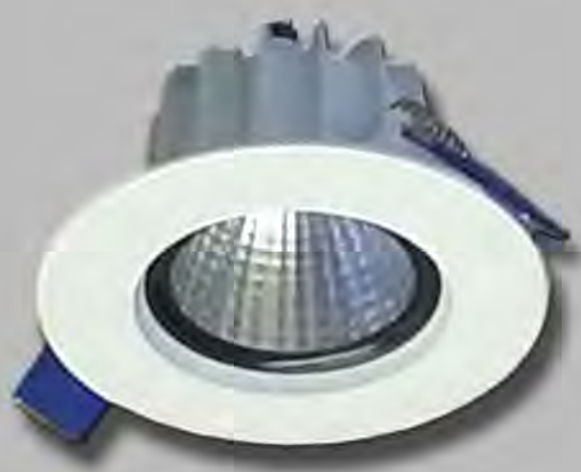
LED 7W Downlight

- Type LED Downlight
- Wattage 7W
- Current 62mA
- IP rating 20
- Dimention 100mm
- Thickness 65mm
- Power supply
Isolation type frequency constant
current power supply
- Frequency 50Hz/60Hz
- Voltage 220V-240V
- Max. ambient temp. -10°C ~ +45°C
- Net weight 210G

Down Lights

44





LED 9W Spotlight

• Type	LED Spotlight
• Wattage	9W
• IP rating	20
• Ceiling cut out	Ø90mm
• Thickness	50mm
• Power supply	Isoltion type frequency constant current power supply
• Color	Ivory white
• Frequency	50Hz/60Hz
• Vout	15VDC-30VDC
• Iout	270mA
• Vin	100-240V
• Lin	108mA
• Ta	45°C
• Tc	80°C
• Net weight	150G

Down Lights

45



Down Lights

LED 14W Downlight

• Type	LED Downlight
• Wattage	14W
• IP rating	20
• Ceiling cut out	120mm
• Thickness	50mm
• Power supply	Isoltion type frequency constant current power supply
• Color	Ivory white
• Beaming Angle	90°
• Frequency	50Hz/60Hz
• Vin	100-240V
• Input DC	700mA
• PF	≥0.92
• Temp Range	-20-50°C
• Net weight	205G



New from





LED 15W Spotlight

• Type	LED Downlight
• Wattage	15W
• IP rating	20
• Ceiling cut out	138mm
• Thickness	80mm
• Power supply	Isoltion type frequency constant current power supply
• Color	Ivory white
• Frequency	50Hz/60Hz
• Vout	52VDC
• Vin	100-240V
• Input DC	420mA
• PF	≥0.92
• Ta	45°C
• Tc	85°C
• Net weight	420G

New from



Down Lights

LED 18W Downlight

- Type LED Downlight
- Wattage 18W
- IP rating 20
- Ceiling cut out Ø195mm
- Thickness 142mm
- Power supply Isoltion type frequency constant current power supply
- Color Ivory white
- Frequency 50Hz/60Hz
- Vout 45VDC-55VDC
- Iout 320mA
- Vin 100-240V
- Lin 210mA
- Ta 45°C
- Tc 75°C
- Net weight 860G





LED 15W Spotlight

• Type	LED Downlight
• Wattage	18W
• IP rating	20
• Ceiling cut out	Ø145mm
• Thickness	125mm
• Power supply	Isoltion type frequency constant current power supply
• Color	Ivory white
• Frequency	50Hz/60Hz
• Vout	25VDC-35VDC
• Vin	100-240V
• Lin	230mA
• PF	>0.9
• Ta	45°C
• Tc	80°C
• Net weight	530G

Down Lights

49



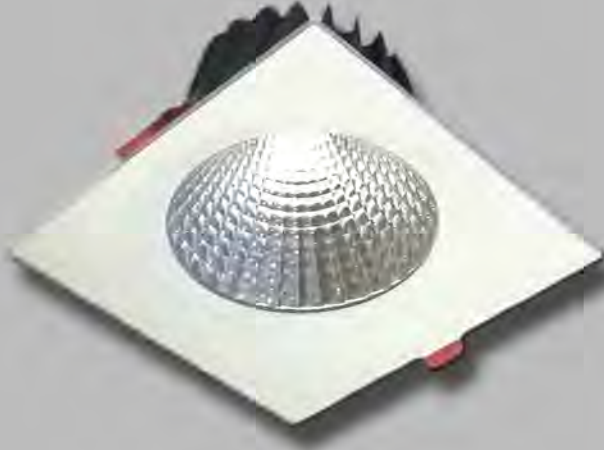
LED 24W Downlight

- Type LED Downlight
- Wattage 24W
- IP rating 20
- Ceiling cut out Ø195mm
- Thickness 145mm
- Power supply Isoltion type frequency constant current power supply
- Color Ivory white
- Frequency 50Hz/60Hz
- Vout 25VDC-35VDC
- Vin 100-240V
- Lin 330mA
- PF >0.9
- Ta 45°C
- Tc 80°C
- Net weight 865G

Down Lights

50





LED 30W Spotlight

• Type	LED Downlight
• Wattage	30W
• IP rating	20
• Dimention	200x200mm
• Thickness	110mm
• Power supply	Isoltion type frequency constant current power supply
• Color	Ivory white
• Frequency	50Hz/60Hz
• Vout	52VDC
• Vin	100-240V
• Input DC	850mA
• PF	≥0.92
• Ta	45°C
• Tc	85°C
• Net weight	850G

New from



LED Flood lights

The standard parameter

- CCT WW:3000K/NW:4000K/PW:6000K
- CRI Ra70
- Input Voltage 100-240V
- Frequency 50/60Hz
- Power Factor >0.9
- Ambient temperature -20°C~45°C
- Ambient humidity 10%~90%
- Storage Temperature -40°C~70°C
- Beam angle 100°
- Service Life (H) ≥35000
- IP Rating IP65
- Installation Stand Style Installation
- Main material Aluminum Alloy
+ ASA + toughened glass
- Mounting height 3~50m

Products Specification

FM011

- Power 10W
- Luminous flux WW:650LM
NW:700LM
PW:750LM
- Net Weight 0.65Kg
- Amount each carton 24pcs
- Maximum projected area 0.0238m²

FM021

- Power 20W
- Luminous flux WW:1300LM
NW:1400LM
PW:1500LM
- Net Weight 1.05Kg
- Amount each carton 12pcs
- Maximum projected area 0.0334m²

FM031

- Power 30W
- Luminous flux WW:1950LM
NW:2100LM
PW:2250LM
- Net Weight 1.35Kg
- Amount each carton 12pcs
- Maximum projected area 0.0383m²

FM071



FM051



FM031



FM021



FM011



LED Flood lights



FM056

FM051

- Power 50W
- Luminous flux WW:3500LM
NW:3750LM
PW:4000LM
- Net Weight 1.95Kg
- Amount each carton 6pcs
- Maximum projected area 0.0491m²



FM036

FM071

- Power 70W
- Luminous flux WW:4900LM
NW:5250LM
PW:5600LM
- Net Weight 3.20Kg
- Amount each carton 3pcs
- Maximum projected area 0.0728m²



FM026

FM016

- Power 10W
- Luminous flux WW:600LM
NW:650LM
PW:700LM
- Net Weight 0.75Kg
- Amount each carton 24pcs
- Maximum projected area 0.0238m²



FM016

FM026

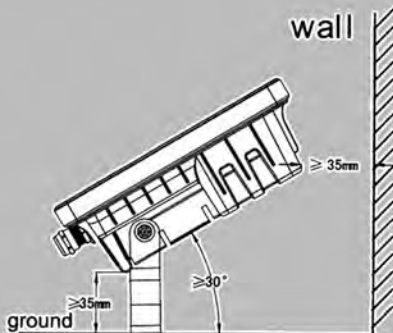
- Power 20W
- Luminous flux WW:1300LM
NW:1400LM
PW:1500LM
- Net Weight 1.05Kg
- Amount each carton 12pcs
- Maximum projected area 0.0334m²

FM036

- Power 30W
- Luminous flux WW:1950LM
NW:2100LM
PW:2250LM
- Net Weight 1.40Kg
- Amount each carton 12pcs
- Maximum projected area 0.0383m²

FM056

- Power 50W
- Luminous flux WW:3150LM
NW:3400LM
PW:3650LM
- Net Weight 2.05Kg
- Amount each carton 6pcs
- Maximum projected area 0.0491m²



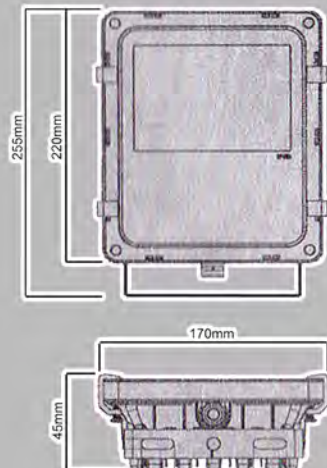
LED IP66 Flood light

Specification

- Power 24W
- Input voltage 265V
- Frequency 50Hz/60Hz
- Color Silver
- Installation Stand Style Installation
- Beam angle 160°
- CCT 6500K
- IP Rating IP66
- Net weight 1.760KGS

Application

- Workshop lighting
- Park lighting
- Garage lighting
- Factory lighting
- Urban lighting





IP68 LED Flood lights

Specification

- Modular pluggable technology , tool - free onsite maintenance.
- Honeycomb and whole structure cooling technology, highly efficient heat dissipation.
- Double-coupling IP68 protection , highest waterproof level.
- "Ultra Robust" module technology , single units damage doesn't affect units current.
- Multi-circuit constant current driver , single module hot-pluggable.
- Ergonomic light distribution to achieve uniform illuminating effect.
- Free modular serialization and full power range solution.

FL1A Series



FL2A Series



Input Voltage	Power Efficiency	Power Factor	Junction Temp.	Beam Angle	CRI	Working Environment	Storage Temp.		
AC90V-305V	91%	0.95	<80°C	8°, 25°, 40° 60°, 90°	Ra70±5	-40°C~+50°C 10%~90%RH	-40°C~+50°C		
LED Life Span	Protection for Break	Color Temp.	LED Chips	Body and Shell Material	IP Rating				
>50000hours	10KV	3000k, 4000k, 5000k,6000k	Philips Lumileds	Aluminium Alloy	LED Module IP68, Power Supply IP67				
Model	System Power (W)	LM/W (Ultra High)	LM/W (High)	Initial Lumens (Ultra High)	Initial Lumens (High)	Product Size (mm)	Packing Dimension (mm)	N.W. (Kg)	G.W. (Kg)
FL1A-1	40	105	100	4200	4000	350x340x335	450x430x290	5	5.8
	50	100	95	5000	4750	350x340x335	450x430x290	5	5.8
	60	95	90	5700	5400	350x340x335	450x430x290	5	5.8
FL1A-2	80	105	100	8400	8000	430x340x335	520x430x290	6.3	7.1
	100	100	95	10000	9500	430x340x335	520x430x290	6.3	7.1
	120	95	90	11400	10800	430x340x335	520x430x290	6.3	7.1
FL1A-3	120	105	100	12600	12000	510x340x335	600x430x290	7.3	8.1
	150	100	95	15000	14250	510x340x335	600x430x290	7.3	8.1
	180	95	90	17100	16200	510x340x335	600x430x290	7.3	8.1
FL1A-4	160	105	100	16800	16000	590x340x335	680x430x230	8.3	9.3
	200	100	95	20000	19000	590x340x335	680x430x230	8.3	9.3
	240	95	90	22800	21600	590x340x335	680x430x230	8.3	9.3
FL1A-5	200	105	100	21000	20000	670x340x475	760x430x230	9.3	10.8
	250	100	95	25000	23750	670x340x475	760x430x230	9.3	10.8
	300	95	90	28500	27000	670x340x475	760x430x230	9.3	10.8
FL1A-6	240	105	100	25200	24000	750x340x475	840x430x230	10.3	11.8
	300	100	95	30000	28500	750x340x475	840x430x230	10.3	11.8
	360	95	90	34200	32400	750x340x475	840x430x230	10.3	11.8
FL1A-7	280	105	100	29400	28000	830x340x475	920x430x230	11.5	13.0
	350	100	95	35000	33250	830x340x475	920x430x230	11.5	13.0
	420	95	90	39900	37800	830x340x475	920x430x230	11.5	13.0
FL2A-1	40	105	100	4200	4000	105x290x215	390x165x190	2.2	3.0
	50	100	95	5000	4750	105x290x215	390x165x190	2.2	3.0
	80	105	100	8400	8000	190x290x215	390x245x190	3.8	4.6
FL2A-2	100	100	95	10000	9500	190x290x215	390x245x190	3.8	4.6
	120	95	90	11400	10800	190x290x215	390x245x190	3.8	4.6
	120	105	100	12600	12000	270x290x215	390x325x190	5	5.8
FL2A-3	150	100	95	15000	14250	270x290x215	390x325x190	5	5.8
	180	95	90	17100	16200	270x290x215	390x325x190	5	5.8

New from



Flood Lights

BLD Flood lights

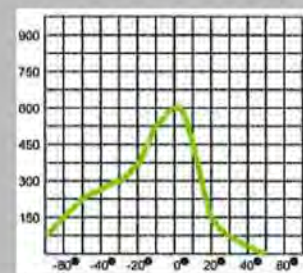
- Body and glass frame in diecast aluminium, UNI5076 alloy.
- Bracket in steel.
- Painting in orange - peel metallized grey color , made by means of polyester powders.
- The back cover is in grey therm - plastic material.
- Anti - loss rings on opening parts (glass frame and rear cover).
- External nuts and screws in steel.
- Tempered screen printed glass, transparent colour , heat - proof and shock-proof.
- Reflector in pure aluminium , mirro type.
- Electrical components: magnetic ballast ,ignitor, capacitor.
- Ceramic lampholder type E40, cable gland , silicone gaskets , aiming goniometer.
- Application area : Plaza , Building, Parking Area, Court yards, Mosques, Sporting Facilities & Shop windows.

Specification

- Voltage: 220V-240V
- Frequency: 50/60Hz
- IP Rating: IP65
- Lamps: Sodium / Metal Halide
- Power: 250W / 400W
- Connection: E40
- Feeding Unit: Magnetic ballast, Capacitor, Ignitor
- PCS/CTN: 1pcs



LIGHT DISTRIBUTION CURVE
(cd/1000lm)





BLDS Flood lights

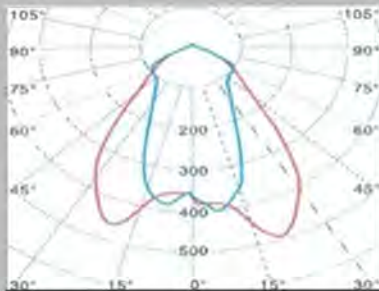
- High Pressure Aluminium Die-Cast Body coated with epoxy powder.
- High purity anodized hammered aluminium reflector.
- Built-in control gear.
- Thermal resistant tempered glass.
- Steel mounting bracket coated with epoxy powder.

Specification

- Voltage: 220V-240V
- Frequency: 50/60Hz
- IP Rating: IP65
- Lamps: Sodium / Metal Halide
- Power: 250W / 400W / 1000W
- Connection: E40
- Color: Light Grey
- Feeding Unit: Magnetic ballast, Capacitor, Ignitor
- PCS/CTN: 1pcs

Application

- Harbours
- Sport stadiums
- Parking area
- Advertisement billboards
- Factories
- Beaches



Flood Lights

BLD45/43 Flood lights

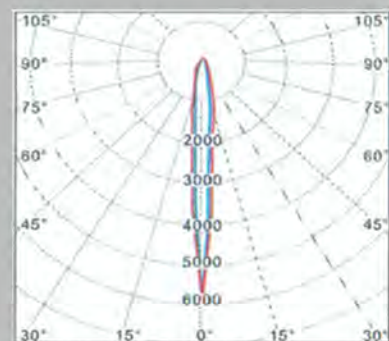
- High Pressure Aluminium Die-Cast Body coated with epoxy powder.
- High purity anodized hammered aluminium reflector.
- Built-in control gear.
- Thermal resistant tempered glass.
- Steel mounting bracket coated with epoxy powder.

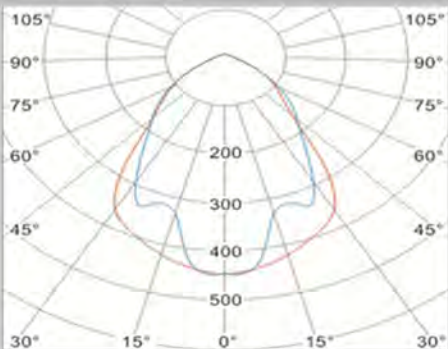
Specification

- Voltage: 220V-240V
- Frequency: 50/60Hz
- IP Rating: IP65
- Lamps: Sodium / Metal Halide
- Power: 250W / 400W / 1000W
- Connection: E40
- Color: Light Grey
- Feeding Unit: Magnetic ballast, Capacitor, Ignitor
- PCS/CTN: 1pcs

Application

- Harbours
- Sport stadiums
- Parking area
- Advertisement billboards
- Factories
- Beaches





BLD-1000-06 Flood lights

- High Pressure Aluminium Die-Cast Body coated with epoxy powder.
- High purity anodized hammered aluminium reflector.
- Built-in control gear.
- Thermal resistant tempered glass.
- Steel mounting bracket coated with epoxy powder.

Specification

- Voltage: 220V-240V
- Frequency: 50/60Hz
- IP Rating: IP65
- Lamps: Sodium / Metal Halide
- Power: 1000W
- Connection: E40
- Color: Light Grey
- Feeding Unit: Magnetic ballast, Capacitor, Ignitor
- PCS/CTN: 1pcs

Application

- Harbours
- Sport stadiums
- Parking area
- Advertisement billboards
- Factories
- Beaches

BLD-2000 Flood lights

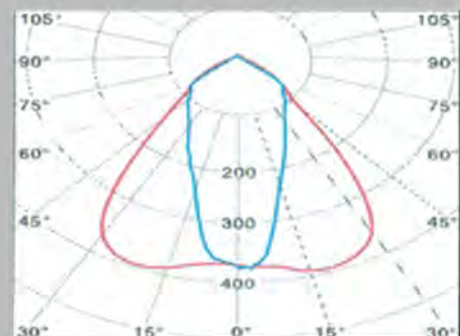
- High Pressure Aluminium Die-Cast Body coated with epoxy powder.
- High purity anodized hammered aluminium reflector.
- Built-in control gear.
- Thermal resistant tempered glass.
- Steel mounting bracket coated with epoxy powder.

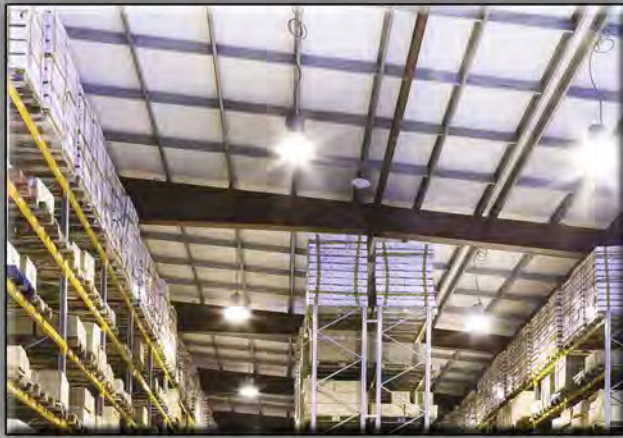
Specification

- Voltage: 220V-240V
- Frequency: 50/60Hz
- IP Rating: IP65
- Lamps: Sodium / Metal Halide
- Power: 2000W
- Connection: E40
- Color: Light Grey
- Feeding Unit: Magnetic ballast, Capacitor, Ignitor
- PCS/CTN: 1pcs

Application

- Harbours
- Sport stadiums
- Parking area
- Advertisement billboards
- Factories
- Beaches





BCGH Flood lights

Specification

- Type: High bay lighting
- Voltage: 220V-240V
- Frequency: 50/60Hz
- IP Rating: IP65
- Lamps: Sodium / Metal Halide
- Power: 250W-400W
- Connection: E40
- Color: Light Grey
- Feeding Unit: Magnetic ballast, Capacitor, Ignitor
- PCS/CTN: 4pcs

Application

- Harbours
- Sport stadiums
- Parking area
- Advertisement billboards
- Factories
- Beaches



BWP155/255 Flood lights

- Opaque UV stabilized polycarbonate body, mirror aluminium reflector, UV stabilized polycarbonate diffuser, upper part is transparent for high efficiency light diffuseness, bottom part is prismatic for hiding components inside.
- Stainless steel clips, waterproof silicon gasket, compact fluorescent lamp used inside.
- Compared with the conventional aluminum diecasting flood light, it is much less power consumption, much lighter, more convenient to install.

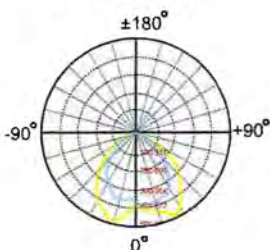
Specification

- Voltage: 220V-240V
- Frequency: 50/60Hz
- IP Rating: IP65
- Lamp: Compact Fluorescent
- Power: 1x55W / 2x55W
- Connection: E27
- Color: Grey
- PCS/CTN: 5pcs

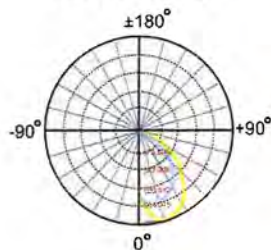
Application

- Harbours
- Sport stadiums
- Parking area
- Advertisement billboards
- Factories
- Beaches

BWP155



BWP255



BWP155



BWP255





LED Street lights

Features:

- Modular pluggable technology, tool-free onsite maintenance.
- Honeycomb and whole structure cooling technology, highly efficient heat dissipation.
- Double-coupling IP68 protection, highest waterproof level.
- "Ultra Robust" module technology, single unit, damage doesn't affect units current.
- Multi-circuit constant current driver, single module hot-pluggable.
- Ergonomic light distribution to achieve uniform illuminating effect.
- Free modular serialization and full power range solution.

Input Voltage	Power Efficiency	Power Factor	Junction Temp.	Beam Angle	CRI	Working Environment	Storage Temp.
AC90V-305V	91%	0.95	<80°C	Iso-Brightness Batwing	Ra70±5	-40°C~+50°C 10%~90%RH	-40°C~+50°C

LED Life Span	Protection for Break	Color Temp.	LED Chips	Installation Diameter	Body and Shell Material	IP Rating
>50000hours	10KV	3000k, 4000k, 5000k, 6000k	Philips Lumileds	57~63mm	Aluminium Alloy	LED Module IP68, Power Supply IP67

Model	System Power (W)	LMW (Ultra High)	LMW (High)	Initial Lumens (Ultra High)	Initial Lumens (High)	Product Size (mm)	Packing Dimension (mm)	N.W. (Kg)	G.W. (Kg)
T1A-1	40	105	100	4200	4000	595x330x91	690x430x170	6.3	7.1
	50	100	95	5000	4750	595x330x91	690x430x170	6.3	7.1
	60	95	90	5700	5400	595x330x91	690x430x170	6.3	7.1
T1A-2	80	105	100	8400	8000	645x330x91	740x430x170	8.9	9.7
	100	100	95	10000	9500	645x330x91	740x430x170	8.9	9.7
	120	95	90	11400	10800	645x330x91	740x430x170	8.9	9.7
T1A-3	120	105	100	12600	12000	725x330x91	820x430x170	9.5	10.3
	150	100	95	15000	14250	725x330x91	820x430x170	9.5	10.3
	180	95	90	17100	16200	725x330x91	820x430x170	9.5	10.3
T1A-4	160	105	100	16800	16000	805x330x91	900x430x170	10.7	11.7
	200	100	95	20000	19000	805x330x91	900x430x170	10.7	11.7
	240	95	90	22800	21600	805x330x91	900x430x170	10.7	11.7
T1A-5	200	105	100	21000	20000	885x330x91	980x430x170	11.9	13.4
	250	100	95	25000	23750	885x330x91	980x430x170	11.9	13.4
	300	95	90	28500	27000	885x330x91	980x430x170	11.9	13.4
T1A-6	240	105	100	25200	24000	1065x330x91	1160x430x170	15.0	16.5
	300	100	95	30000	28500	1065x330x91	1160x430x170	15.0	16.5
	360	95	90	34200	32400	1065x330x91	1160x430x170	15.0	16.5
T1A-7	280	105	100	29400	28000	1145x330x91	1240x430x170	16.3	17.8
	350	100	95	35000	33250	1145x330x91	1240x430x170	16.3	17.8
	420	95	90	39900	37800	1145x330x91	1240x430x170	16.3	17.8

T2A-1	40	105	100	4200	4000	125x290x220	340x165x270	2.3	3.1
	50	100	95	5000	4750	125x290x220	340x165x270	2.3	3.1
	60	95	90	5700	5400	125x290x220	340x165x270	2.3	3.1
T2A-2	80	105	100	8400	8000	220x290x220	340x245x270	3.9	4.7
	100	100	95	10000	9500	220x290x222	340x245x270	3.9	4.7
	120	95	90	11400	10800	220x290x224	340x245x270	3.9	4.7
T2A-3	120	105	100	12600	12000	315x290x220	340x325x270	5.3	6.1
	150	100	95	15000	14250	315x290x220	340x325x270	5.3	6.1
	180	95	90	17100	16200	315x290x220	340x325x270	5.3	6.1

T1A Series

T2A Series

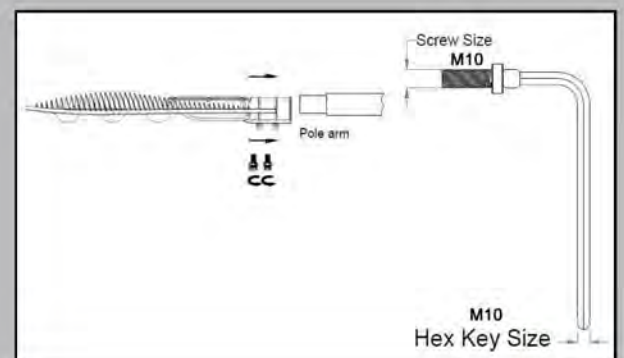
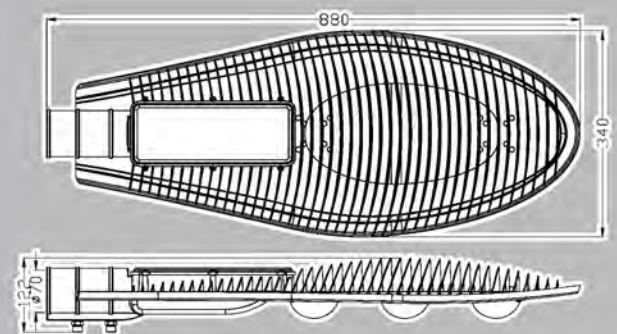
BGSL150W

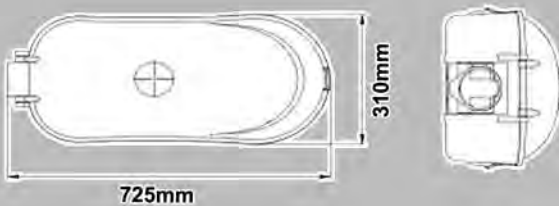
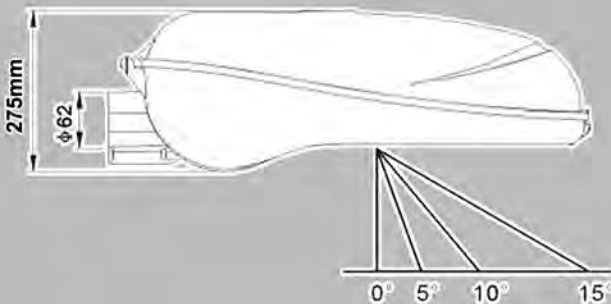
Specification

- Voltage: 90V-264V
- Frequency: 50/60Hz
- IP Rating: IP65
- Lamp: LED
- Beam angle: Bat Wing
- Power: 3*50W
- Output Voltage: Max. 52V 1.05A
- Packing size: 930*365*145mm
- N.W.: 7.41Kgs
- G.W.: 8.5Kgs
- PCS/CTN: 1pcs

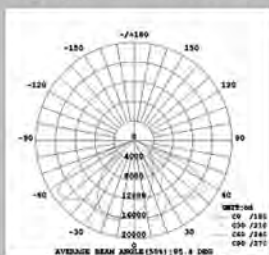
Application

- Harbours
- Sport stadiums
- Parking area
- Advertisement billboards
- Factories
- Beaches

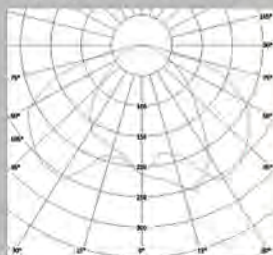




High power 400W HPS



High power 250W HPS



Milano Street light

Specification

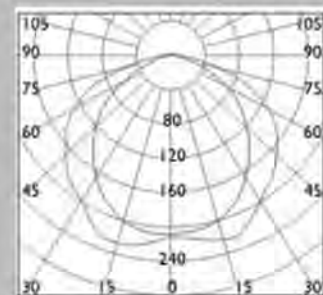
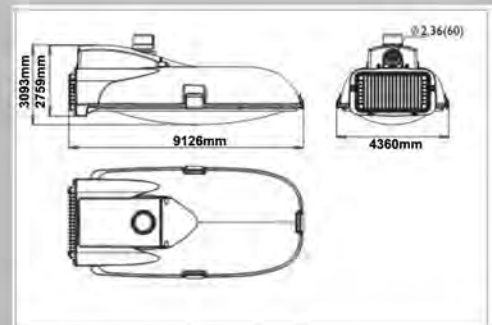
- Order No.: BG-1090.
- Lamps: MH/HPS/MV 250W-400W.
- Body & Top cover: High pressure Die-casting Aluminum.
- Optical unit: High Efficiency performance Aluminum reflector (75.8%), in IP65.
- Reflector: High Efficiency performance , made in aluminum AA1085 , hermetically sealed anodized.
- Glass: Curved or flat tempered glass, IK 09.
- Lamp holder: Ceramic E-40 with multi - position (1/2/3) support.
- Gear tray: Heat - resistant nylon materials or metal plate.
- Closing: Stainless steel (304 grade).
- Connection (Spigot) to Column: 60mm ; 0° -30° degree adjustable system.
- Finishing: Standard color (RAL 7035, RAL 7042, RAL 9007) , other colores upon request.
- Protection index: IP65 G.O./IP65.
- Impact resistance: IK 09.
- Electrical class: Class II.

BZD13a-200E

- Compact structure, good heat dissipation, long lifetime and easy maintenance.
- Newest type with die cast aluminum streamline contour for high wind resistance, adjustable projecting angle.
- Die cast aluminum alloy housing with powder coated finish for corrosion resistance and durable use.
- High purity stretched aluminum reflector with vacuum coating for even light distribution, soft light and good light utilization.
- Reflector is fixed with the top cover for good sealing and reasonable construction.
- Special construction, split ballast and lamp compartment.
- Lens are optional with heat resistant PC (polycarbonate) (BZD13a), good light diffusing.
- High heat resistant silicone rubber bushing for high IP rating.
- Optional photo control for energy saving.

Specification

- Lamp: ST200W
- Power: 200W
- Voltage: 120V-277V
- Color Temp.: 5000K
- Ambient Temp.: -20-40°C
- Installation:
Round Lamp pole $\varnothing 1.97(50) \sim \varnothing 2.63(60)$
- IP Rating: IP65





BG9990L

Features

- Rechargeable & automatic light up.
- Overdischarge & overcharge protection.
- Can be wall mounted.
- Green LED: Operate indicator.
- Red LED: Charge indicator.

Specifications

- Type: Rechargeable LED lantern
- Frequency: 50-60Hz
- Input voltage: 220-240V
- Battery: 6x4V 900mAh sealed Lead-acid rechargeable.
- Light source: 90 PCS bright LED
- Charge time: 20-24 hours
- Duration:
 - 30LED: 10 hours
 - 90LED: 3.5 hours
- Dimension: 597X60X45mm

Applications

- Office
- House
- Hotel
- Mall
- Hospital
- Meeting room

Rechargeable Lanterns

BG3315-L

Features

- Rechargeable & automatic light up.
- Overdischarge & overcharge protection.
- Can be wall mounted.
- Green LED: Operate indicator.
- Red LED: Charge indicator.

Specifications

- Type: Rechargeable LED lantern
- Frequency: 50-60Hz
- Input voltage: 220-240V
- Battery: 6V 4Ah or 6V 4.5Ah sealed Lead-acid rechargeable.
- Light source:
 - 14W Fluorescent tube
 - 40 PCS bright LED
- Charge time: 20-24 hours
- Duration: 14W Tube: 4 Hours
40 LED: 2 Hours
- Dimension: 660X95X82mm

Applications

- Office
- House
- Hotel
- Mall
- Hospital
- Meeting room





BG3330

Features

- Rechargeable & automatic light up.
- Overdischarge & overcharge protection.
- Can be wall mounted.
- Can stand on the floor or table with its folding support stand.
- Suitable for hand carry every where.
- Green LED: Operate indicator.
- Red LED: Charge indicator.

Specifications

- Type: Rechargeable LED lantern
- Frequency: 50-60Hz
- Input voltage: 220-240V
- Battery: 6V 4Ah or 6V 4.5Ah sealed Lead-acid rechargeable.
- Light source: 2x15W Fluorescent tube.
- Charge time: 20-24 hours
- Duration: 1 Tube: 4 Hours
2 Tube: 2 Hours
- Dimension: 660X95X82mm

Applications

- Office
- House
- Hotel
- Mall
- Hospital
- Meeting room

Rechargeable Lanterns

BG888-1/2

Features

- Emergency & automatic light up.
- Overdischarge & overcharge protection.
- Can be wall mounted.
- Red LED: Charge indicator.

Specifications

- Type: Emergency light
- Frequency: 50-60Hz
- Input voltage: 220-240V
- Battery: 6V 2Ah sealed Lead - acid rechargeable.
- Light source:
 - 1x8W (12 inch) Fluorscent tube
 - 2x8W (12 inch) Fluorscent tube
- Charge time: 20-24 hours
- Duration: 2x8W: 1.5 Hours
- Dimension: 356X136X84mm

Applications

- Office
- House
- Hotel
- Mall
- Hospital
- Meeting room





BG118L

Features

- Emergency & automatic light up.
- Overdischarge & overcharge protection.
- Can be wall mounted.
- Test function button.
- Red LED: Charge indicator.

Specifications

- Type: Emergency lantern
- Frequency: 50-60Hz
- Input voltage: 220-240V
- Battery: 2 x 4V 1Ah sealed Lead - acid rechargeable.
- Light source: 24x1500MCD 110° bright LED.
- Charge time: 20-24 hours
- Duration: 4 Hours
- Dimension: 327X78X53mm

Applications

- Office
- House
- Hotel
- Mall
- Hospital
- Meeting room

Rechargeable Lanterns

BG2730L

Features

- Emergency & automatic light up.
- Overdischarge & overcharge protection.
- Red LED: Charge indicator.

Specifications

- Type: Rechargeable Ceiling lantern
- Frequency: 50-60Hz
- Input voltage: 220-240V
- Battery: 2x4V 900mAh sealed Lead-acid rechargeable.
- Light source: 30 PCS bright LED
- Charge time:
 - 6-8 Hours (on OFF position)
 - 12-15 Hours (on ON position)
- Duration: 5 Hours
- Dimension: 140X140X97.5mm

Applications

- Office
- House
- Hotel
- Mall
- Hospital
- Meeting room





BG221-B

Features

- Rechargeable & automatic light up.
- Overdischarge & overcharge protection.
- Light sensor.
- Red LED: Charge indicator.

Specifications

- Type: Rechargeable LED lantern
- Frequency: 50-60Hz
- Input voltage: 220-240V
- Battery: 4V 600mAh sealed Lead - acid rechargeable.
- Light source: 7pcs LED
- Charge time: 10-12 hours
- Duration: 6 hours under DC position
- Dimension: 87X80X80mm

Applications

- Office
- House
- Hotel
- Mall
- Hospital
- Meeting room

Rechargeable Lanterns

BG2611L

Features

- Emergency & automatic light up.
- Overdischarge & overcharge protection.

Specifications

- Type: Emergency lantern, energy saving lamp holder.
- Frequency: 50-60Hz
- Input voltage: 220-240V
- Battery: 4V 600mAh sealed-acid rechargeable.
- Light source: 8pcs LED; AC energy saving lamp (under 50W)
- Charge time:
 - 8 hours (switch on OFF position)
 - 20 hours (switch on ON position)
- Duration:
 - LED : 6 hours under DC position.
 - Tube : always lighting under AC position.
- Dimension: 75X118mm (excluding tube)

Applications

- Office
- House
- Hotel
- Mall
- Hospital
- Meeting room





BG-624USB

Features

- Rechargeable & automatic light up.
- Overdischarge & overcharge protection.
- USB / SD mp3 player , FM scan radio with powerful speaker.
- Red LED: Charge indicator.

Specifications

- Type: Rechargeable LED lantern
- Frequency: 50-60Hz
- Input voltage: 220-240V
- Battery: 6V 2Ah sealed Lead - acid rechargeable.
- Light source: 12x0.25W Hi-power LED light
- Charge time: 12-15 hours
- Duration:
 - 7 hours / Strong light
 - 30 hours / Weak light
 - 8 hours / Radio
 - 6 hours / Music
- Dimension: 108X76X286mm

Applications

- Office
- House
- Hotel
- Mall
- Hospital
- Meeting room

Rechargeable Lanterns

BG-9913LA

Features

- Rechargeable & automatic light up.
- Overdischarge & overcharge protection.

Specifications

- Type: Rechargeable LED lantern
- Frequency: 50-60Hz
- Input voltage: 220-240V
- Battery: 6V 4.5Ah sealed-acid rechargeable.
- Light source: 12x0.5W Hi-power LED (Lantern)
1x0.5W Hi-power (Torch)
- Charge time: 20-24 Hours
- Duration: 2.5 hours / Strong light
10 hours / Weak light
50 hours / Spot light
- Dimension: 98X87X185mm

Applications

- Office
- House
- Hotel
- Mall
- Hospital
- Meeting room





BG328-L

Features

- Rechargeable & automatic light up.
- Overdischarge & overcharge protection.

Specifications

- Type: Rechargeable LED lantern
- Frequency: 50-60Hz
- Input voltage: 220-240V
- Battery: 6V 4.5Ah sealed Lead - acid rechargeable.
- Light source:
 - 24x1500MCD 110° bright LED
 - 4x1500MCD 110° bright LED (Torch)
- Charge time: 20-24 Hours
- Duration:
 - 2Lines: more than 48 hours
 - 4Lines: more than 24 hours
 - Torch: more than 144 hours
- Dimension: 78.8X77.5X170mm

Applications

- Office
- House
- Hotel
- Mall
- Hospital
- Meeting room

Rechargeable Lanterns

BG628-L

Features

- Rechargeable & automatic light up.
- Overdischarge & overcharge protection.

Specifications

- Type: Rechargeable LED lantern
- Frequency: 50-60Hz
- Input voltage: 220-240V
- Battery: 6V 2Ah sealed-acid rechargeable.
- Light source:
 - 24x1500MCD 110° bright LED
 - 4x1500MCD 110° bright LED (Torch)
- Charge time: 20-24 Hours
- Duration:
 - 24 LED: 10 hours
 - 12 LED: 20 hours
 - Torch: 24 hours
- Dimension: 111X78X224mm

Applications

- Office
- House
- Hotel
- Mall
- Hospital
- Meeting room





BG8043L

Features

- Rechargeable & automatic light up.
- Overdischarge & overcharge protection.

Specifications

- Type: Rechargeable LED light
- Frequency: 50-60Hz
- Input voltage: 220-240V
- Battery:
4 V 2 Ah sealed Lead - acid rechargeable.
- Light source:
19 PCS bright LED torch
24 PCS bright LED light
- Charge time: 12-15 Hours
- Duration:
19 LED torch 6 Hours
24 LED light 6 Hours
- Dimension: 160X122.6X235mm

Applications

- Search light
- Office
- House
- Hotel
- Mall
- Hospital
- Meeting room

Rechargeable Lanterns

BG-9054

Features

- Rechargeable & automatic light up.
- Overdischarge & overcharge protection.
- Red LED: Charge indicator.

Specifications

- Type: Rechargeable LED torch
- Frequency: 50-60Hz
- Input voltage: 220-240V
- Battery: 4 V 400 mAh sealed lead - acid rechargeable.
- Light source: 0.5W Hi-power LED
- Charge time: 12-15 Hours
- Duration: 2.5 hours/Strong light
10 hours/Weak light
- Dimension: 52X52X150mm

Applications

- Search Light



BG-6862T

Features

- Rechargeable & automatic light up.
- Overdischarge & overcharge protection.
- Suitable for hand carry every where.
- Red LED: Charge indicator.

Specifications

- Type: Rechargeable LED light
- Frequency: 50-60Hz
- Input voltage: 220-240V
- Battery: 6 V 1.6 Ah sealed Lead - acid rechargeable.
- Light source: 60 PCS bright LED light
1 * 0.5W Hi-power LED torch
- Charge time: 20-24 Hours
- Duration:
Strong light: 3 Hours
Weak light: 10 Hours
Torch: 14 Hours
- Dimension: 144X105X275mm
- Charging:
By Normal electrical cable
By solar system or car (12V IN DC)
- USB Socket 5V-Out USB socket

Applications

- Search light
- Office
- House
- Hotel
- Mall
- Hospital



New from



ISO 9001:2008



Rechargeable Lanterns

BG-3860L

Features

- Rechargeable & automatic light up.
- Overdischarge & overcharge protection.
- Suitable for hand carry everywhere.
- Red LED: Charge indicator.

Specifications

- Type: Rechargeable LED light
- Frequency: 50-60Hz
- Input voltage: 220-240V
- Battery: 6 V 1.6 Ah sealed lead - acid rechargeable.
- Light source: 60 PCS bright LED light
- Charge time: 20-24 Hours
- Duration:
 - Strong light: 2.5 Hours
 - Weak light: 10 Hours
- Dimension: 165X54.5X22mm
- Charging
 - By Normal electrical cable
 - By solar system or car (12V IN DC)
- USB Socket 5V-Out USB socket

Applications

- Search Light
- Office
- House
- Hotel
- Mall
- Meeting room



New from



ISO 9001:2008





New from



BG-2310LA

Features

- Rechargeable & automatic light up.
- Overdischarge & overcharge protection.
- Suitable for hand carry everywhere.
- Red LED: Charge indicator.

Specifications

- Type: Rechargeable LED light
- Frequency: 50-60Hz
- Input voltage: 220-240V
- Battery: 4 V 6 Ah sealed Lead - acid rechargeable.
- Light source: 24 x 0.25W SMD LED
- Charge time: 20-24 Hours
- Duration:
Strong light: 4 Hours
Weak light: 18 Hours
- Dimension: 136X76X270mm

Applications

- Search light
- Office
- House
- Hotel
- Mall
- Hospital
- Meeting room



ISO 9001:2008



Rechargeable Lanterns

BG-710LA

Features

- Rechargeable & automatic light up.
- Overdischarge & overcharge protection.
- Suitable for hand carry everywhere.
- Red LED: Charge indicator.

Specifications

- Type: Rechargeable LED light
- Frequency: 50-60Hz
- Input voltage: 220-240V
- Battery: 4 V 6 Ah sealed lead - acid rechargeable.
- Light source: 24 x 0.25W SMD LED
- Charge time: 20-24 Hours
- Duration:
 - Strong light: 4 Hours
 - Weak light: 18 Hours
- Dimension: 100X135X295mm

Applications

- Search Light
- Office
- House
- Hotel
- Mall
- Meeting room



New from



ISO 9001:2008



Metal Boxes

HGSO-3

- 1.0mm Galvanized Iron 3x3 single box.
- 1 piece of the brass pin.
- 1 piece of the adjustable lug.
- Inner carton: 10 pcs.
- Outer carton: 100 pcs.

HGSO-5

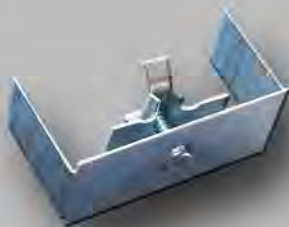
- 1.0mm Galvanized Iron 3x6 double box.
- 1 piece of the brass pin.
- 1 piece of the adjustable lug .
- Inner carton: 5 pcs.
- Outer carton: 50 pcs.

HGSO-8

- 1.1mm Galvanized Iron 3x8 twn or double box.
- Brass pin.
- Inner carton: 5 pcs.
- Outer carton: 50 pcs.

MPT

- 1.0mm Galvanized Iron tool to connect between two boxes.
- Outer carton: 500 pcs.



Plastic Boxes

Features

- A standard design - suitable for domestic or commercial installations.
- Fitted with earth terminal as standard.
- Multiple knockouts and fixing holes.
- Cord grip adjacent to bottom knockout, alternative position for when the box is mounted vertically.

901

- Description: 1 gang surface pattress for socket outlet 32mm.
- Weight: 76g
- Dimensions: 87.5x87.5x32mm
- Inner carton: 10pcs
- Outer carton: 100pcs

902

- Description: 2 gang surface pattress for socket outlet 32mm.
- Weight: 108g
- Dimensions: 87.5x148x32mm
- Inner carton: 5pcs
- Outer carton: 50pcs

901



902



907



916



Dry Lining Boxes

Features

- Meets the 17th edition IEE & Document B of the UK Building Regulations.
- Expands in a fire to act as a fully resistant fire barrier.

907

- Description: 1 gang 35mm.
- Weight: 30g
- Dimensions: 83x83x35mm
- Inner carton: 10pcs
- Outer carton: 100pcs

916

- Description: Dual 35mm.
- Weight: 70g
- Dimensions: 83x170x35mm
- Inner carton: 5pcs
- Outer carton: 50pcs

BG Electrical Tape

Features:

- Shiny or matted surfaces , soft material , high elasticity, relatively high intensity, high adhesive and electrical insulative performance.

Applications:

- For insulative connection , phase labeling , sheath protection and industrial colligation of wire and cable under the voltage of 600V and the environment temperature below 70°C. It can also be used for bandaging , fixation , splicing , remedy , encapsulation and protection.

Technical Data:

- | | |
|-----------------------|---------|
| • Thickness: | 0.19mm |
| • Width: | 19.0mm |
| • Tensile Strength: | 2.5kN/m |
| • Elongation: | 200% |
| • 180° Peel Strength: | 180N/m |
| • Voltage Resistance: | 6.0kV |





**For further product information and literature
please visit our website:**

www.bltelectrical.com

- Easy navigation between product categories
- Technical product data sheets
- Image database download

**You can check the newest products immediately
on Facebook:**

facebook.com/Mesopotamia.Lights.co



Nexus Industries Ltd. Group company
www.nexusinds.com

BG Lighting

from



a registered trade mark of Nexus Industries Ltd.

NEXUS

UK & European Sales and
Distribution Center
Stafford Park 1
Telford
Shropshire
England

Tel: +44 0 1952 238 100

E-mail: sales@bgelectrical.co.uk

Asia Office
Room 1409
Building B
Far East International Plaza
Shanghai
China 200051

Tel: +86 0 21 6235 0688

E-mail: sales@nexus.cn

Middle East Office
Al-Wekalat Complex
Ekd Al-Nasarah
Shorja
Baghdad
Iraq

Tel: +964 7808085700

E-mail: sales@mesopotamiaco.com

www.bltelectrical.com